

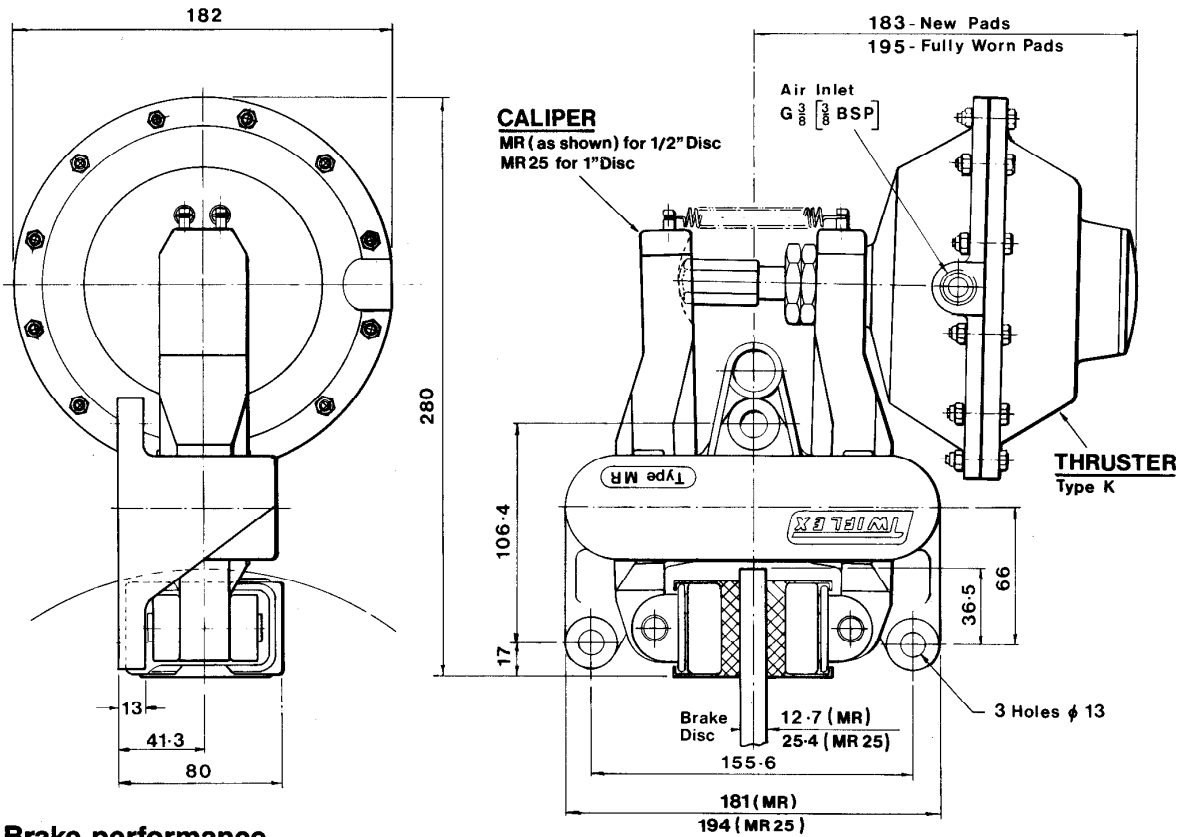
MRK and MR25K DISC BRAKE CALIPER

SPRING APPLIED — AIR RETRACTED

DB 4058

Issue 5

Date: Feb 1988

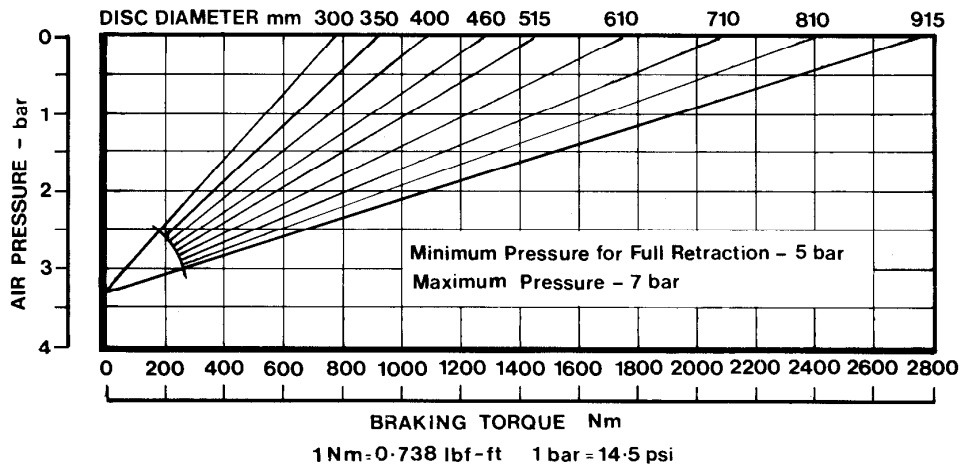


Brake performance

Braking Force — 6400N (maximum rating).

Braking Torque (Nm) = Braking Force (N) × Effective Disc Radius (m).

where Effective Disc Radius (m) = Actual Disc Radius — 0.030.



These are typical performance figures for bedded and conditioned brake pads having a friction coefficient of 0.4 when used with standard Twiflex brake discs. An appropriate service factor should be applied when designing the braking system, and in the case of brakes used for holding duties or in wet conditions this should not be less than 2.0.

Lower rate springs are available — see page 4



Distribuidor para España:

FU IBERICA, S. L.

Trafalgar, 4, planta 5

Tel. 268 18 33 - Fax: 268 32 92

08010 BARCELONA