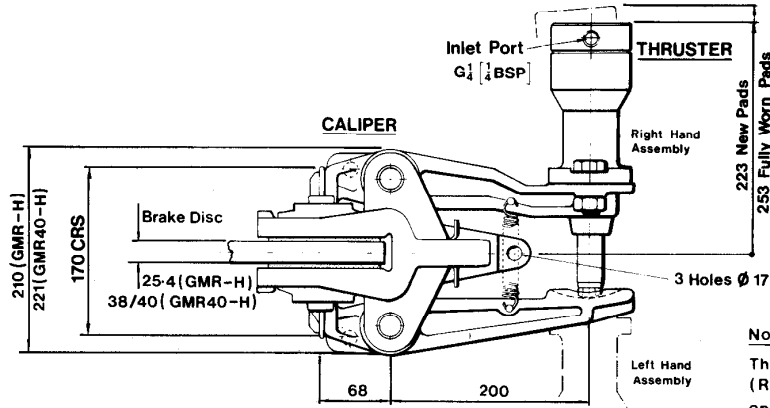


DISC BRAKE CALIPER
TYPES: GMR-H and GMR 40-H
HYDRAULICALLY APPLIED-SPRING RELEASED

DB 3602

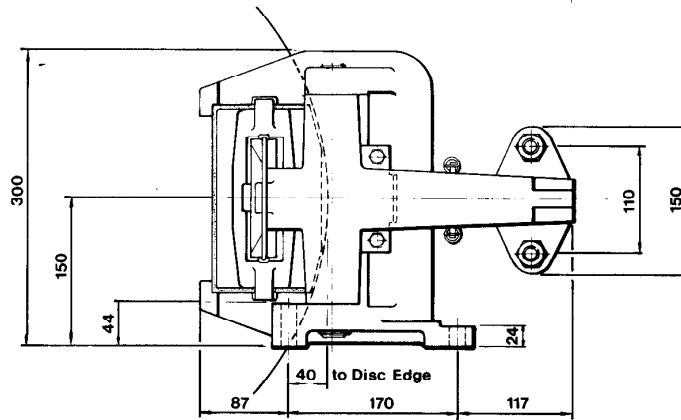
Issue 1

Date: July 84

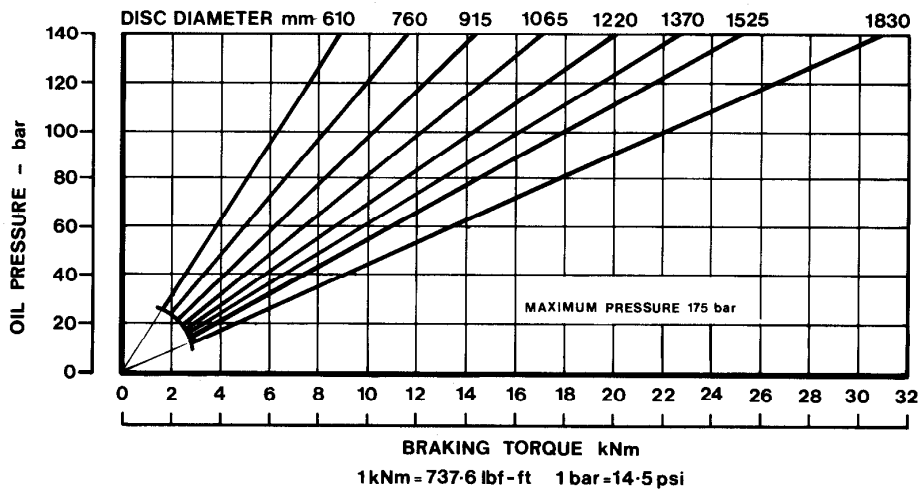


Note

The caliper may be assembled as drawn (RH assembly) or with arms and thruster oppositely handed (LH assembly as shown in broken outline) to suit customer's requirements. Unless otherwise requested, the RH assembly will be supplied.



Total pad area 408 cm²
Total weight (caliper and thruster) 36.9 kg.



Brake Performance Chart

The ratings shown on the above graph are based on fully bedded-in pads.



Distribuidor para España:
FU IBERICA, S. L.

Trafalgar, 4, planta 5
 Telf. 268 18 33 - Fax: 268 32 92
 08010 BARCELONA