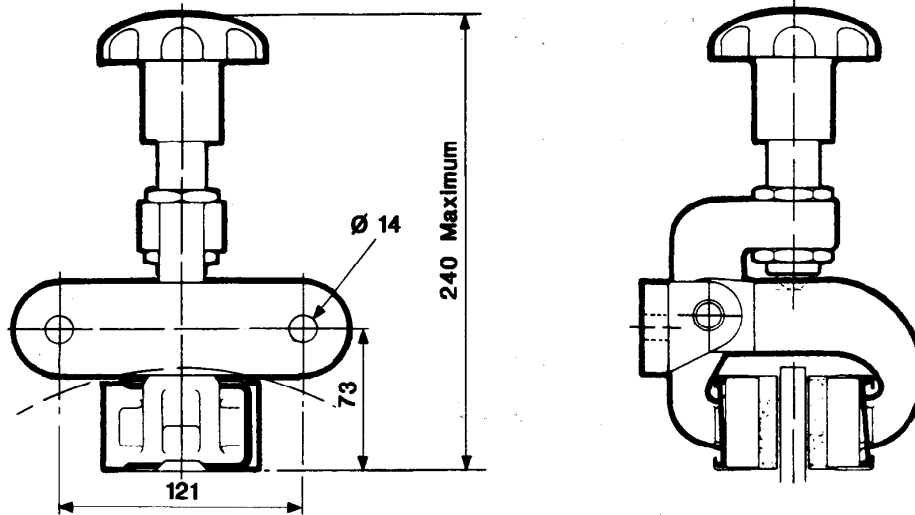


# MSH DISC BRAKE CALIPER MECHANICALLY APPLIED-HAND OPERATED

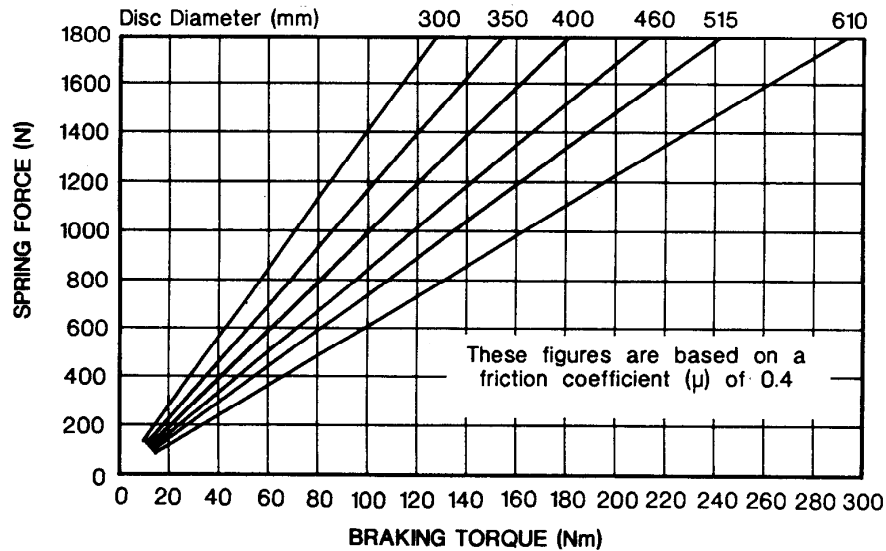
**DB 8005**

Issue. 2 | Date. May 1990

Nominal dimensions given. For specific dimensions please contact Twiflex Limited  
For caliper dimensions see DB 8008



1 Turn of Handwheel = 90N Braking Force  
Caliper Weight Including Handwheel = 2.7kg  
Maximum Braking Force = 1060N



The ratings shown on the above graph are based on fully bedded and conditioned brake pads. For bedding-in and conditioning procedures see Publication M1060.

Braking Force is defined as the Tangential Force acting on the brake disc at the Effective Disc Radius.  
Braking Torque (Nm) = Braking Force (N) x Effective Disc Radius (m)  
where Effective Disc Radius = Actual Disc Radius - 0.03



Distribuidor para España:  
**FU IBERICA, S.L.**

Trafalgar, 4, planta 5  
Tel. 268 18 33 - Fax. 268 32 92  
08010 BARCELONA