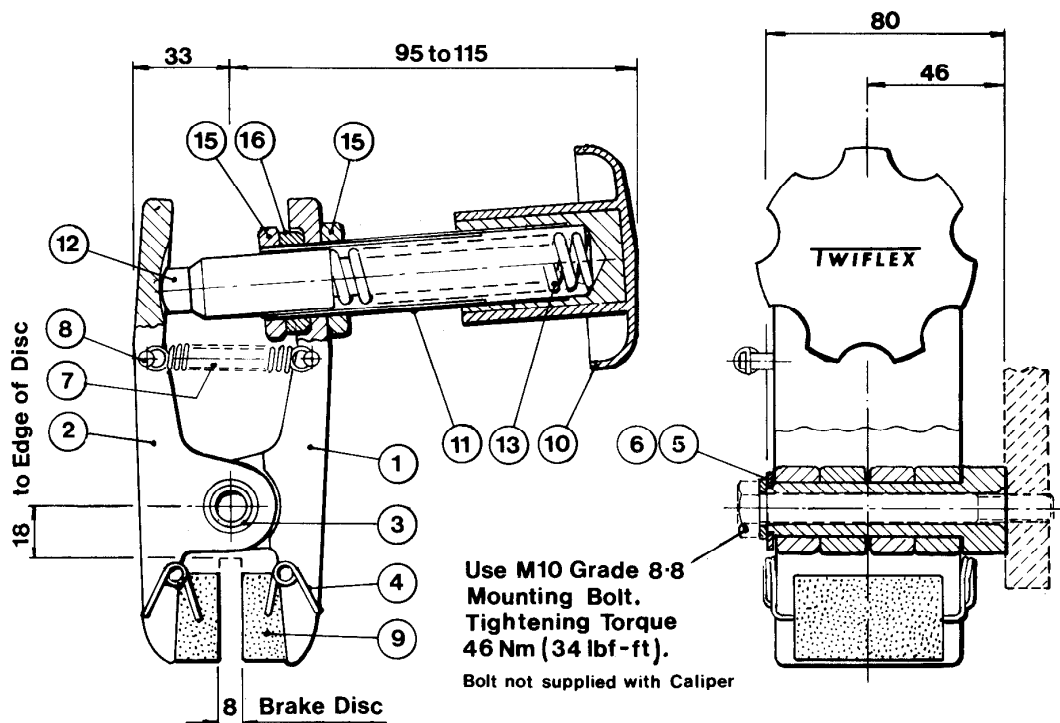


DISC BRAKE CALIPER: TYPE MUH

HAND OPERATED — SPRING APPLIED

Handwheel adjustable.



Disc Brake Caliper Assembly Type MUH

Parts List

Item	Component	Part No.	Qty.
1	Arm (Thruster Side)	6640177	1
2	Arm (Opposite Side)	6640178	1
3	Pivot Post	8240039	1
4	Pad Retaining Spring	2450093	2
5	9/16" Plain Washer	4700209	1
6	M10 Plain Washer	4700208	1
7	Tension Spring	2400109	2
8	Grooved Pin	3100088	2

Item	Component	Part No.	Qty.
9	Brake Pad	7080047	2
10	Hand Knob	7900637	1
11	Sleeve	7950388	1
12	Push Rod	7952012	1
13	Spring	2500109	1
14			
15	3/4" BSP Nut	5100051	2
16	Spacer	1650494	1

Technical Data MUH:

Hand Knob Assembly only Part No. 7800173.

Caliper only Part No. 6780918.

Complete assembly (Caliper and hand knob assembly) Part No. 6780925.

Weight (complete assembly) — 1.150kg

Minimum brake disc diameter — 150mm

Disc thickness (Standard) — 8mm

New pad dimensions — 30×50×21mm thick

Brake pad wear allowance — 2mm each pad maximum

Total pad area — 30cm²

Braking Force 560 N (125 lbf) at coefficient of friction $\mu = 0.38$
 Brake torque (Nm) = Braking force (N) × effective disc radius (m).
 (Effective disc radius (m) = actual radius (m) — 0.020).

TRAFALGAR, 4.5° B - 08010 BARCELONA
 TEL. 93 268 18 33 - FAX 93 268 31 92
 Internet: www.iberica.com - Email: iberica@iberica.com



Distribuidor para España:

"F.U." IBERICA, S.L.