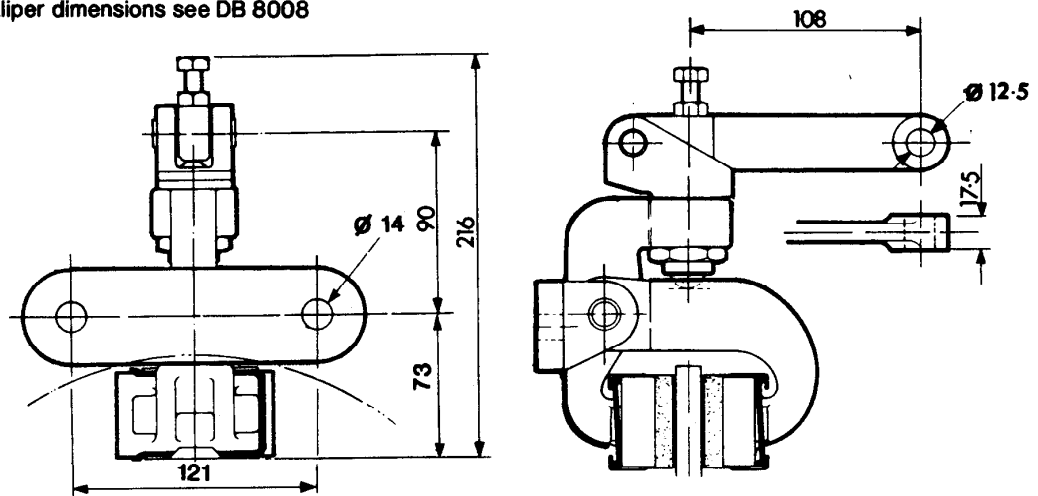


MSF DISC BRAKE CALIPER MECHANICALLY APPLIED-LEVER OPERATED

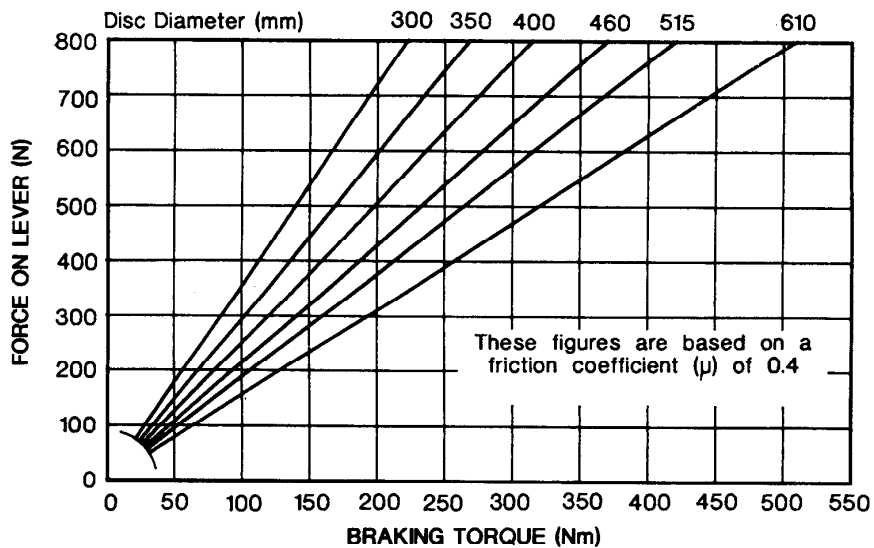
DB 8004

Issue. 2 Date. May 1990

Nominal dimensions given. For specific dimensions please contact Twiflex Limited
For caliper dimensions see DB 8008



Maximum Force on Lever = 100kg.
Maximum Braking Force = 1800N
Caliper Weight including Lever Assy. = 2.3kg.



The ratings shown on the above graph are based on fully bedded and conditioned brake pads. For bedding-in and conditioning procedures see Publication M1060.

Braking Force is defined as the Tangential Force acting on the brake disc at the Effective Disc Radius.
Braking Torque (Nm) = Braking Force (N) x Effective Disc Radius (m)
where Effective Disc Radius = Actual Disc Radius - 0.03



Distribuidor para España:
FU IBERICA, S.L.

Trafalgar, 4, planta 5
Tel. 268 18 33 - Fax. 268 32 92
08010 BARCELONA