

Intensifier Assembly Part No. 8400149 (Mineral Oil)

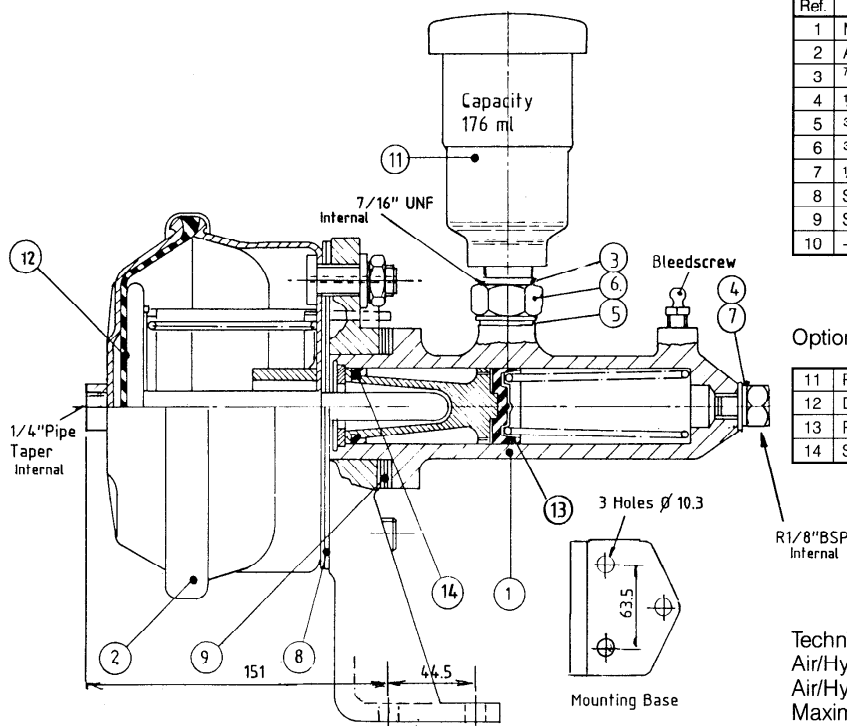
Ref.	Description	Part No.	Qty.
1	Master Cylinder	7100070/Z64	1
2	Air Chamber with Mounting Bracket	7201008	1
3	7/16" ID Bounded Seal	7300135	1
4	1/4" BSP Bounded Seal	7300142	1
5	3/4" BSP Bounded Seal	7300144	1
6	3/4" UNF to 7/16" UNF Adaptor	7300429	1
7	1/2" UNF to 1/8" BSP Adaptor	7300438	1
8	SHIM 0.036"	7900230	1
9	SHIM 0.64"	7900234	1
10	—	—	—

Optional Components and Spares

11	Reservoir 176ml Capacity	7200055	1
12	Diaphragm	8400020	1
13	Primary Seal	7100071	1
14	Secondary Seal	7100072	1

Technical Data

Air/Hydraulic Intensifier Part No. 8400149 (Mineral)
 Air/Hydraulic Intensifier Part No. 8400150 (Vegetable)
 Maximum Air Pressure 7 bar (100 psi)
 Oil Displacement — 60ml at 2" stroke



Distribuidor para España:
FU IBERICA, S.L.

Trafalgar, 4, planta 5
 Tel. 268 18 33 - Fax. 268 32 92
 08010 BARCELONA

**13.2:1 AIR/HYDRAULIC
 INTENSIFIER**

Issue 3 Date: October 1989

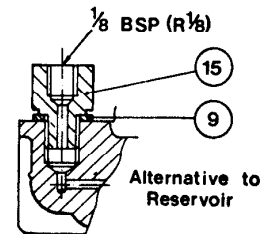
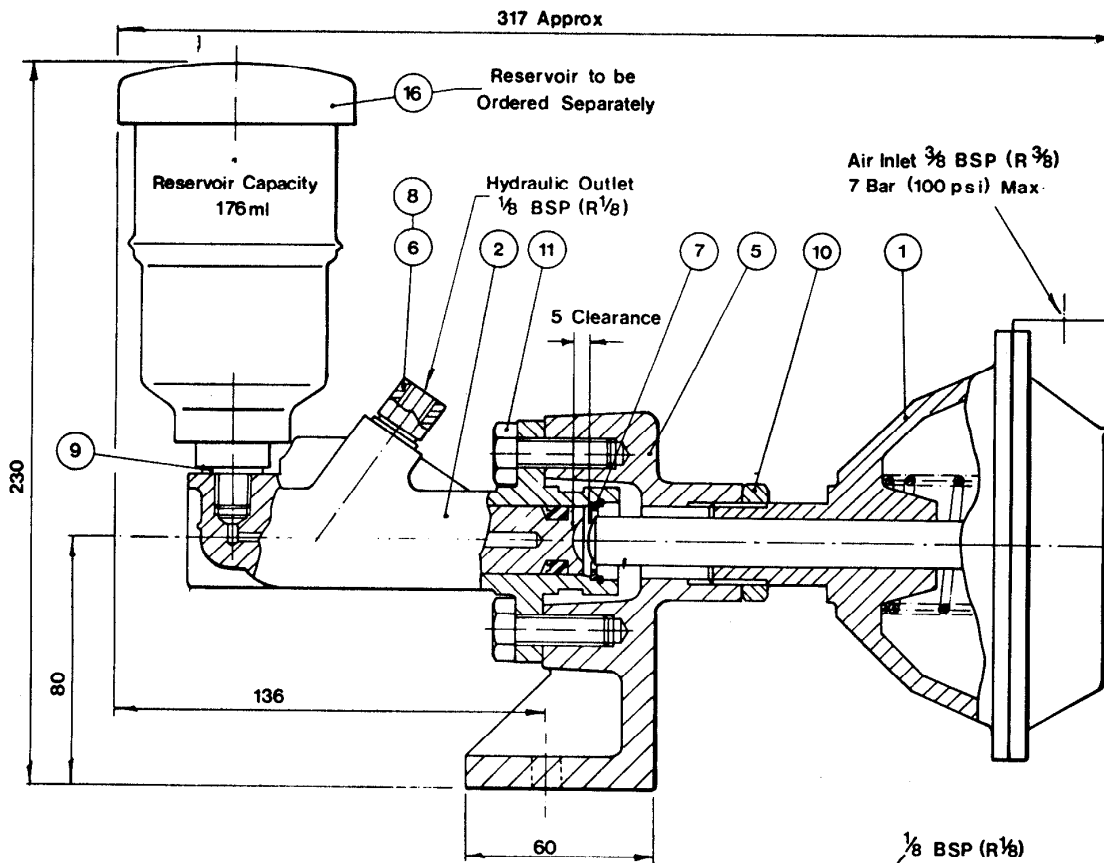
DB 7002

20:1 INTENSIFIER WITH 22mm MASTER CYLINDER

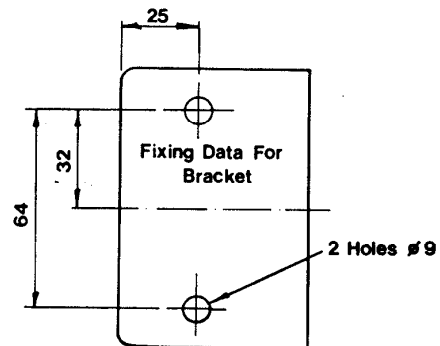
DB 7004

Issue 2

Date: May 84



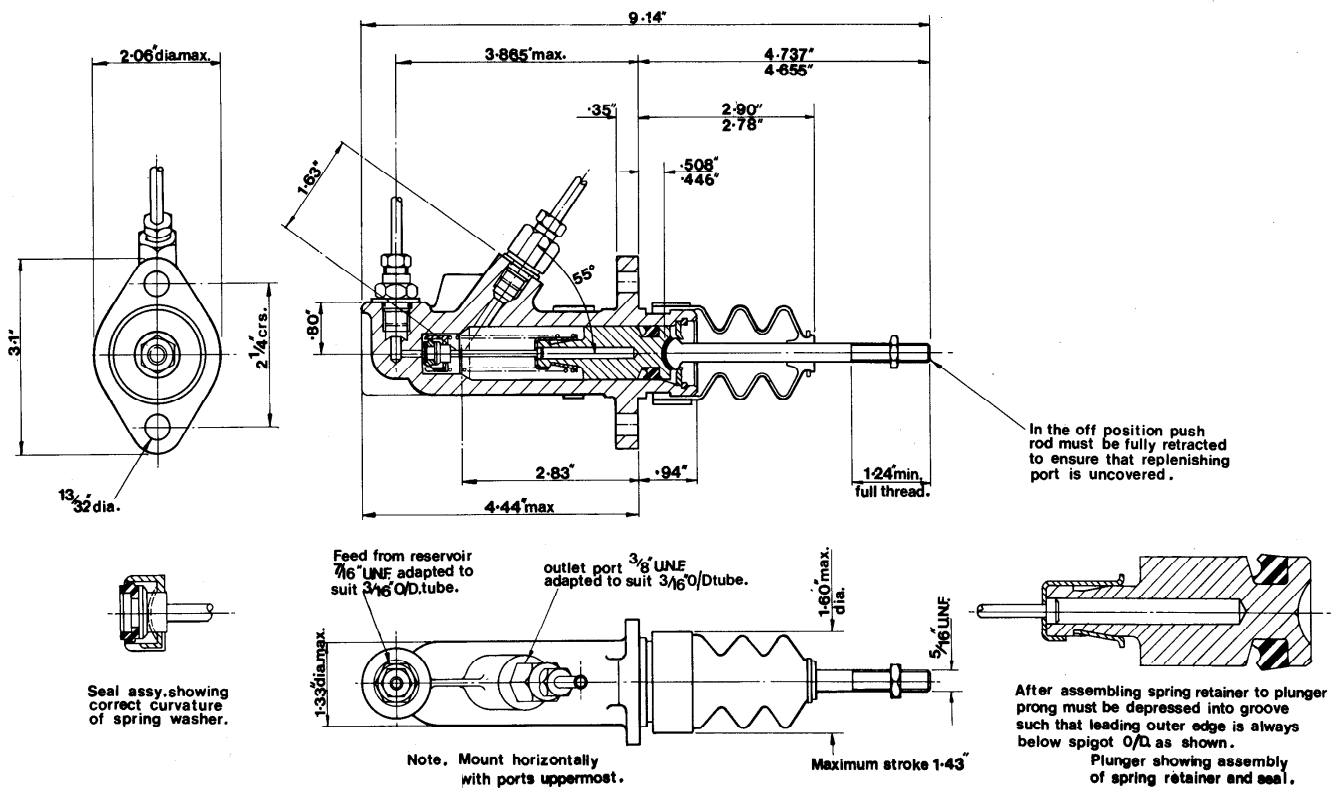
Item	Component	Part No
	20:1 (22 mm) INTENSIFIER ASSEMBLY	8400192
1	4" Thruster Type MR20	7200334
2	1/8" (22mm) Master Cylinder	7100130
3		
4		
5	Bracket	7940870
6	Adaptor	7350439
7	Retainer	7950873
8	Sealing Washer	7300194
9	Sealing Washer	7300135
10	3/4 BSP Nut	5150051
11	M10x30 Hex. Head Setscrew	5300192



Available Fittings		
15	Adaptor 1/8 UNF to 1/8 BSP	7300440
16	Reservoir 176 ml	7600055

Distribuidor para España:
FU IBERICA, S.L.

Trafalgar, 4, planta 5
Tel. 268 18 33 - Fax. 268 32 92
08010 BARCELONA

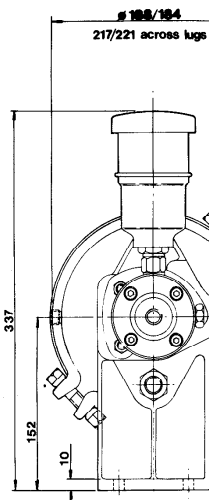


Distribuidor para España:
FU IBERICA, S.L.
 Trafalgar, 4, planta 5
 Tel. 266 18 33 - Fax. 266 32 92
 08010 BARCELONA

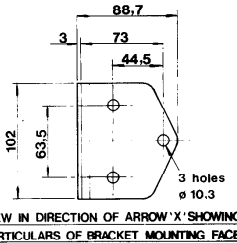
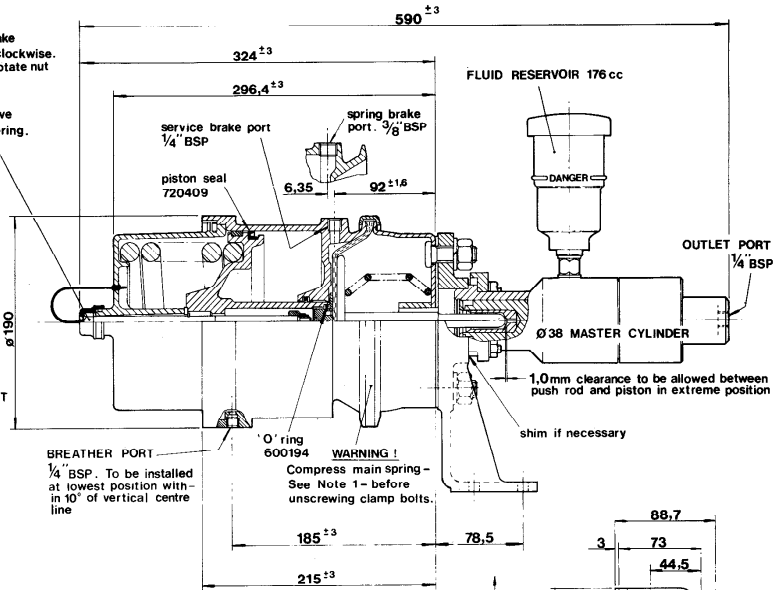
**7/8" DIA. MINERAL OIL
 MASTER CYLINDER.**

ISSUE 1 | DATE. JANUARY 1974

DB. 7001.



NOTE 1
 To compress spring (to make inoperative) turn nut anticlockwise. For FAILSAFE operation rotate nut fully clockwise.
 Warning!
 DO NOT attempt to remove rear casing to release spring.



Spring Brake Port for Failsafe Operation
 Spring produces 58 bar (843 psi) in master cylinder
 Air pressure to overcome spring 6 bar (89 psi)
 Maximum working air pressure 9 bar (133 psi)

Service Brake Port for Direct Operation
 Hydraulic pressure equals 13 x applied air pressure
 Maximum working air pressure 9 bar (133 psi)
 Failsafe spring to be in OFF position

NOTE! With spring in free position and air applied at service brake port pressure in master cylinder equals 58 bar (843 psi) + (13 x air pressure bar)

Oil Displacement 80ml at 70mm stroke

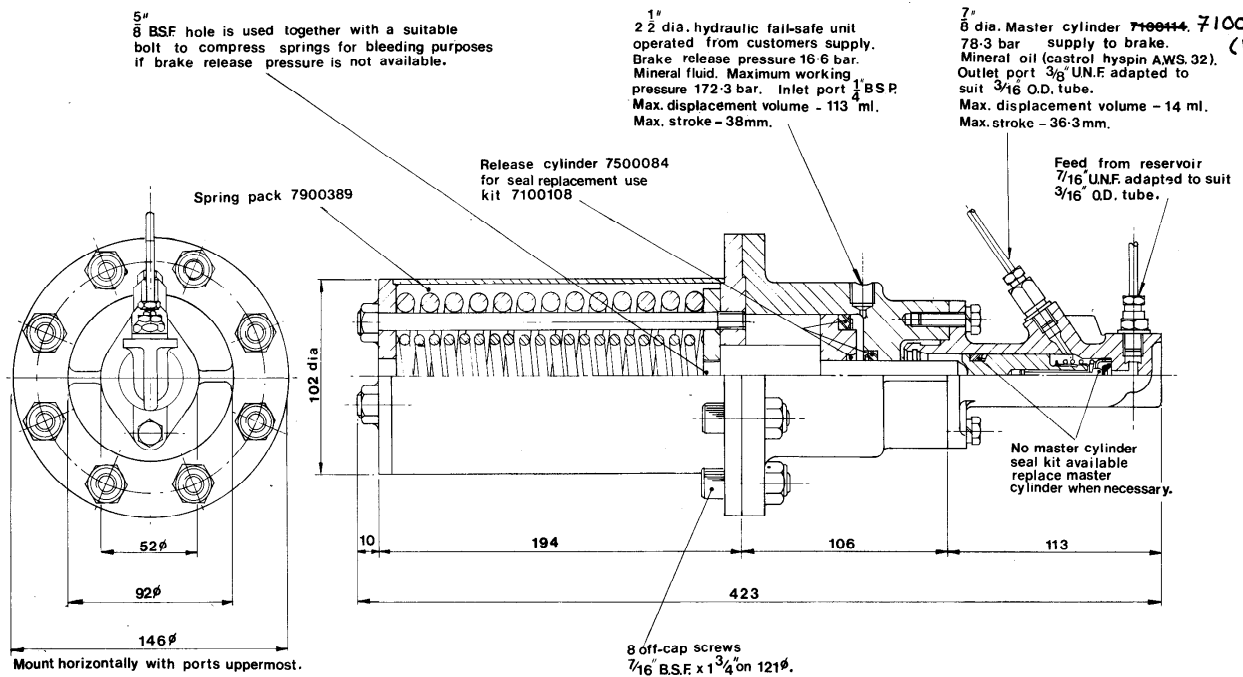


Distribuidor para España:
FU IBERICA, S.L.
 Trefalgar, 4, planta 5
 Tel. 268 18 33 - Fax. 268 32 92
 08010 BARCELONA

**TYPE FCM PNEUMATIC
 FAILSAFE UNIT**

Issue 3 Date: October 1989

DB 4009



1 bar = 14.5 psi



Distribuidor para España:
FU IBERICA, S. L.
 Trafalgar, 4, planta 5
 Telf. 268 18 33 - Fax: 268 32 92
 08010 BARCELONA

**2 1/2" DIA TYPE: F.A.M.
 HYDRAULIC UNIT**

DB 4005	
REF. 8400164	
Issue 2	Date: May 84