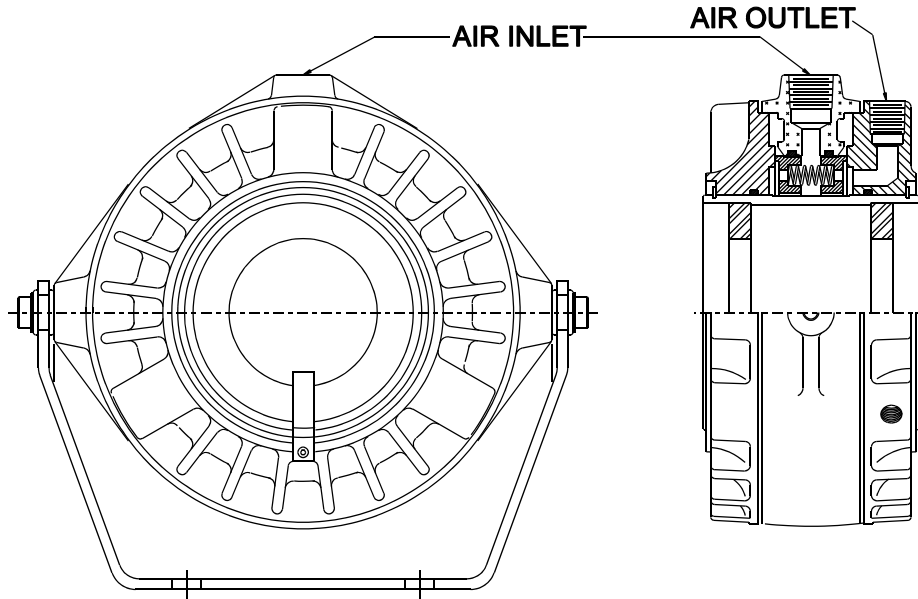


# Air Shaft Seals



## USED ON:

- SLIP-ON INSTALLATION
- HIGH HEAT DISSIPATION
- NO SHAFT DRILLING
- BALANCED AIR PRESSURE
- FLEXIBLE APPLICATION
- FACTORY TESTED

The air shaft seal **TRANSMITS AIR** from the air supply to the rotating members of air clutches and air brakes. Power Flo's **SLIP-ON INSTALLATION** eliminates long rifle drilling of air passages in shafts and permits easy installation. Internal drag is held at a minimum through a **BALANCED AIR PRESSURE DESIGN** that is not affected by an increase in air pressure. The rotating rings are micro-lapped for dependable, leakproof operation and the stationary seals of carbon graphite are self seating to insure sealing. **HIGH HEAT DISSIPATION** is obtained by placing fins on the rotating rings resulting in cooler operation.

Power Flo Model	Bore Range	Max. RPM
250	1.52" - 2.50"	1400
350	2.52" - 3.50"	1150
500	3.52" - 5.00"	900
700	5.01" - 7.00"	500