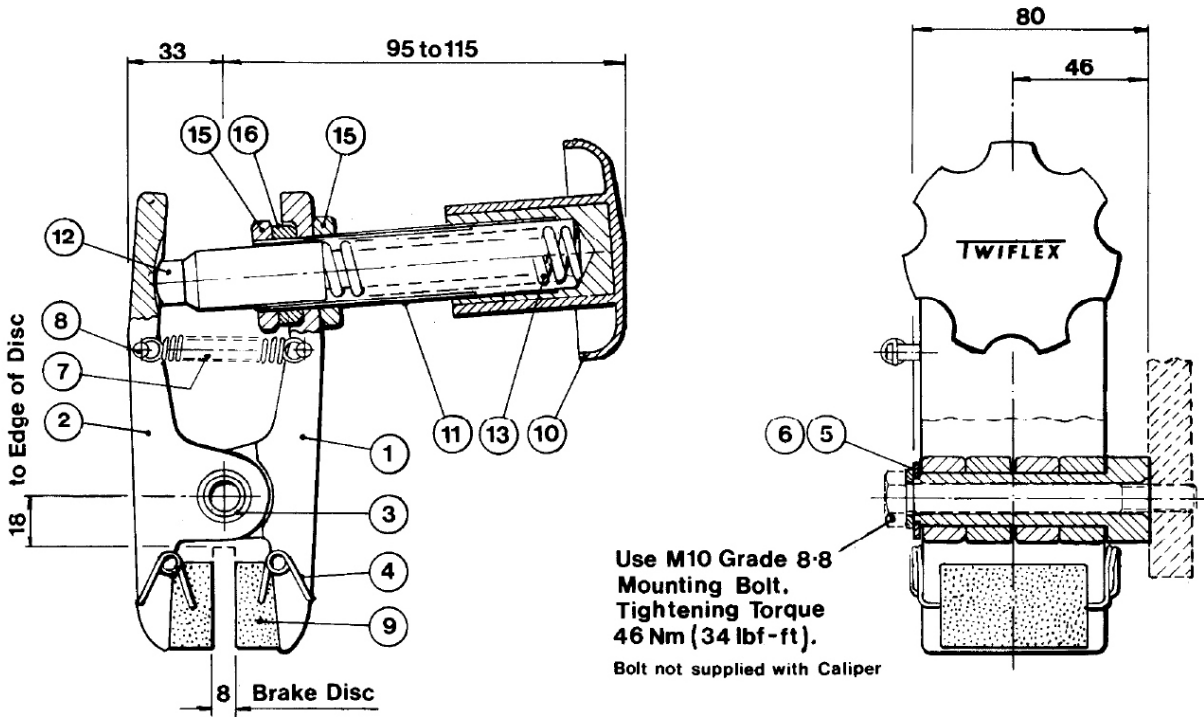




**MUH Disc Brake Caliper** Hand operated - Spring Applied, handweel adjustable.



**Disc Brake Caliper Assembly Type MUH**

**Parts List**

Item	Component	Part No.	Qty.
1	Arm (Thruster Side)	6640177	1
2	Arm (Opposite Side)	6640178	1
3	Pivot Post	8240039	1
4	Pad Retaining Spring	2450093	2
5	3/16" Plain Washer	4700209	1
6	M10 Plain Washer	4700208	1
7	Tension Spring	2400109	2
8	Grooved Pin	3100088	2

Item	Component	Part No.	Qty.
9	Brake Pad	7080047	2
10	Hand Knob	7900637	1
11	Sleeve	7950388	1
12	Push Rod	7952012	1
13	Spring	2500109	1
14			
15	3/4" BSP Nut	5100051	2
16	Spacer	1650494	1

**Technical Data MUH:**

Hand Knob Assembly only Part No. 7800173.  
Caliper only Part No. 6780918.  
Complete assembly (Caliper and hand knob assembly) Part No. 6/80925.  
Weight (complete assembly) — 1.150kg  
Minimum brake disc diameter — 150mm  
Disc thickness (Standard) — 8mm  
New pad dimensions — 30x50x21mm thick  
Brake pad wear allowance — 2mm each pad maximum  
Total pad area — 30cm<sup>2</sup>

**Braking Force** 560 N (125 lbf) at coefficient of friction  $\mu = 0.38$   
Brake torque (Nm) = Braking force (N) x effective disc radius (m).  
(Effective disc radius (m) = actual radius (m) — 0.020).